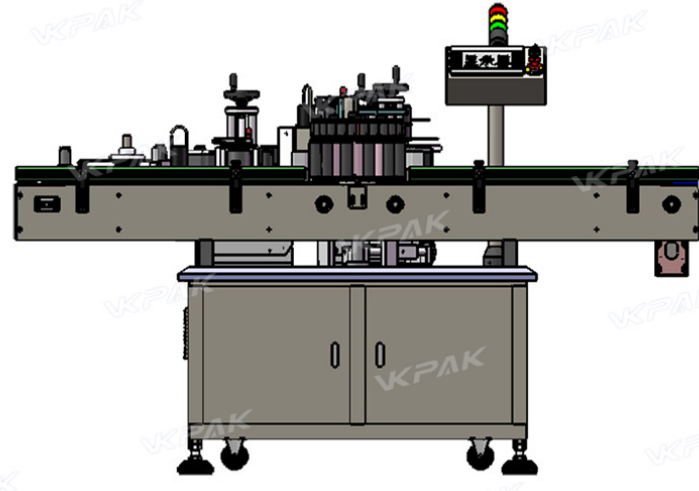


▶▶ VK-SPL-D

KPAK

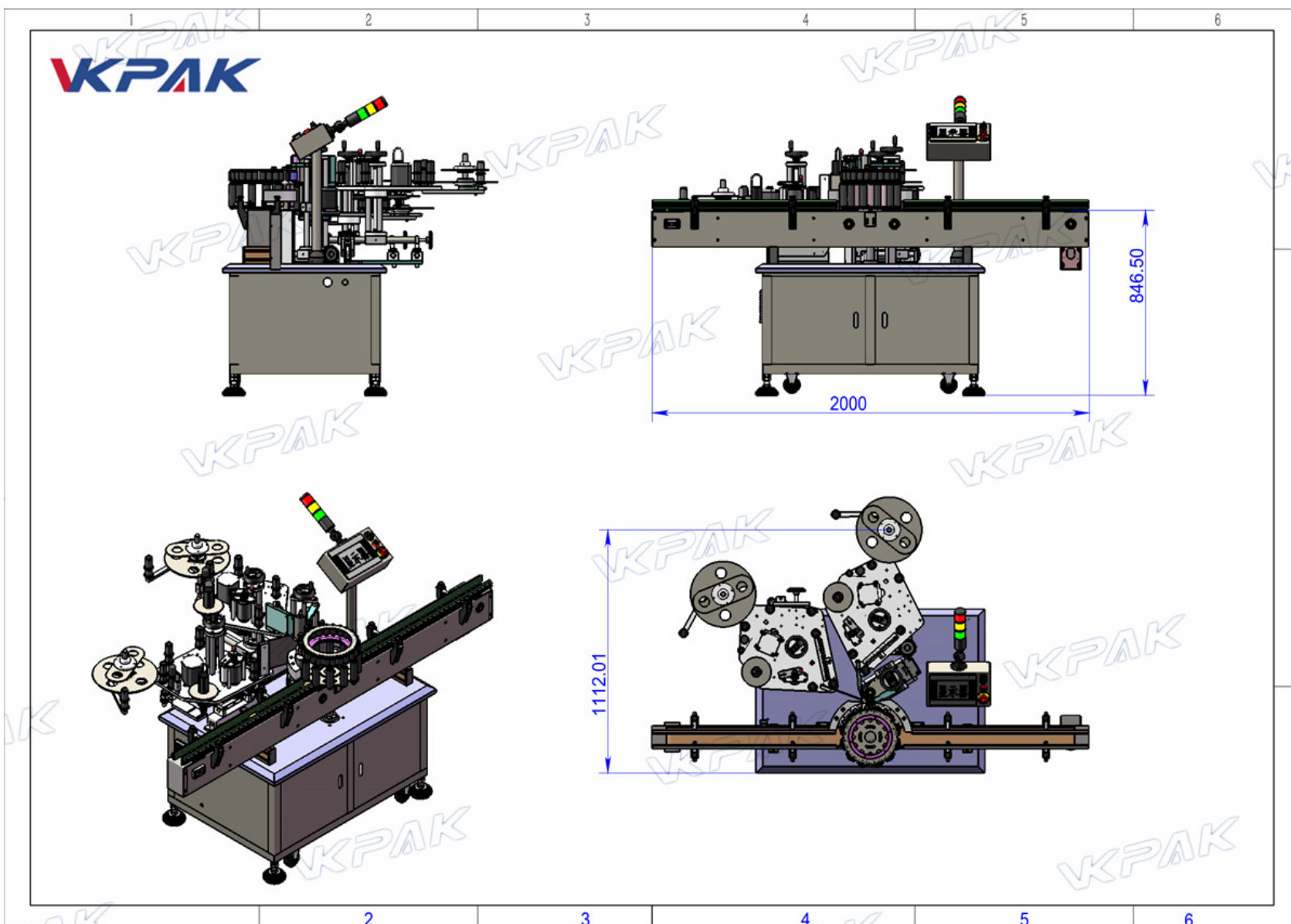


VK-SPL-D Double-Layer Star Disk Long-Necked Bottle Double-Head Labeling Machine

This labeler is customized from the VK-SPL with an additional star disk for bottle neck labeling. It can label both the body and neck of a long-necked flask at the same time. This automatic high speed labeling machine is suitable for medicine, daily chemical, food, and other industries, and the cylindrical object is fully or semi-circular automated high-speed labeling; it adopts a return star disk rotating structure. The bottle is put in, pasted, and taken out, which greatly improves the qualified rate of labeling.



Drawing:



Technical Parameter:

Model	VK-SPL-D
Labeling Speed(pcs/min)	50-100(related to product and label size)
Labeling Accuracy(mm)	±1.0mm
Suitable Label Size(mm)	(L)10-300mm (H)10-130mm
Suitable Product Size	Diameter: 30-100mm, H:30-120mm
Roll Inside Diameter(mm)	Φ76mm
Roll Outside Diameter(mm)	Φ320mm
Machine Size(mm)	(L)2100*(W)1200*(H)1600(mm)
Net Weight	About 250Kg

Main Configuration:

Name	Brand	Origin
Servo Motor	Panasonic	Japan
Servo Motor Drivers	Panasonic	Japan
Touch Screen	Siemens	Germany
PLC	Siemens	Germany
Lable Sensor	Leuze	Germany
Optical Fiber Sensor	Omron	Japan
Conveyor Motor	JSCC	Germany
Speed Regulator	JSCC	Germany

Shanghai BaZhou Industrial Co., Ltd.

- ▶▶ Tel: +86-21-34710825
- ▶▶ Email: info@vkpak.com
- ▶▶ Website: www.vkpak.com
- ▶▶ Add: Plant No. 6, No. 477 Tie Feng Road, Baoshan District, Shanghai, China.